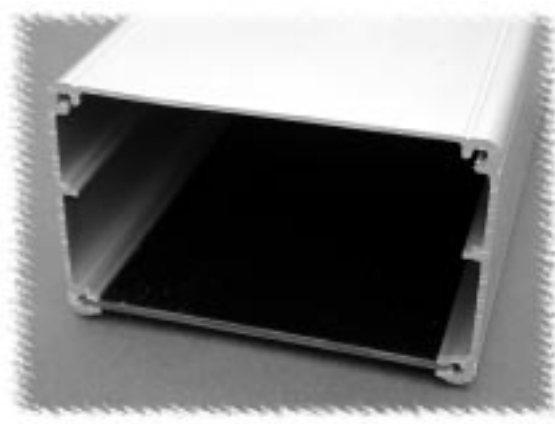
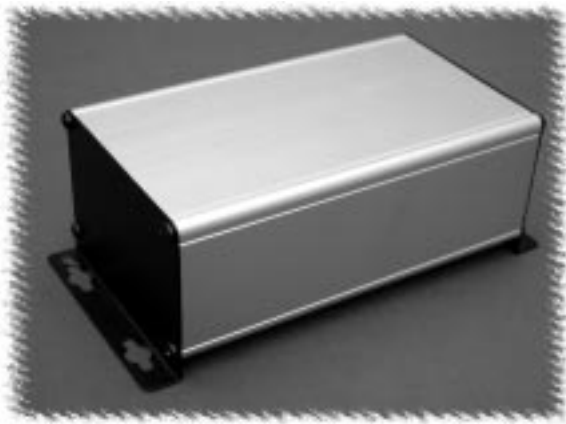


Aluminum Instrument (1455 & 1456 Series)



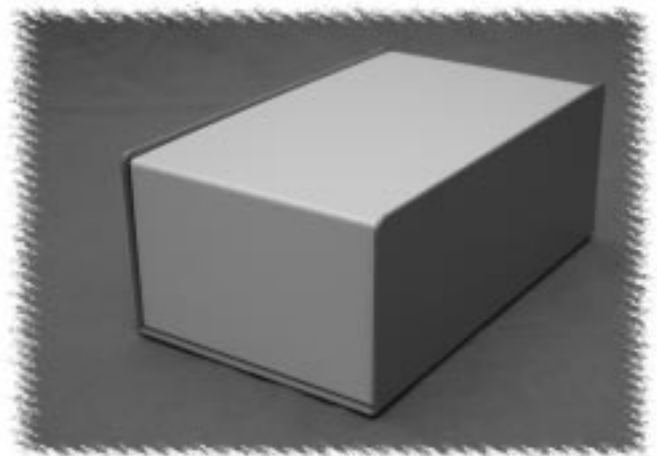
KEY FEATURES

- Designed to house electronics or for equipment interfacing where shelf or wall mounting is required.
- Consists an aluminum “U” shaped extrusion and a slide-in flat aluminum bottom plate. Steel foot “L” brackets are attached to each end. “L” brackets are punched with 0.31” (7.9 mm) diameter keyholes for easy mounting of enclosure.
- Visit our web site for drawings and complete detail by part number.
- Rugged body constructed from extruded aluminum, minimum thickness of .06” (1.5 mm).
- Available in clear or black anodized finish. The bottom slide-in plate is finished to match. The “L” brackets are finished in a textured black powder paint.
- All assembly hardware is included.

Part Number		Units	Dimensions		
Clear Anodized	Black Anodized		A	B	C
1455ZT1601	1455ZT1601BK	inch mm	6.30 160	3.50 88.9	2.20 56
1455ZT2201	1455ZT2201BK	inch mm	8.66 220	3.50 88.9	2.20 56

KEY FEATURES

- Aluminum case 0.081” (2 mm) thick aluminum.
- Aluminum top panel is 0.064” (1.6 mm) thick aluminum.
- Sold pre-assembled with a textured blue case and a choice of a contempora grey **or** a black top panel.
- Comes with self adhesive rubber feet and required mounting hardware.
- Replacement screws **1421J6** (Pkg. of 6, 6-32 Philips head screws).



Part Number		Units	Case Dimensions			Panel Dimensions		
Off White Top and Blue Case	Black Top and Blue Case		Length	Width	Height	Length	Width	Height
1456NEK4WHBU	1456NEK4BKBU	inch mm	10.0 254	6.0 152	4.0 102	9.75 248	5.8 147	3.8 97

Metal

10° Sloped Consoles (1456 Series)



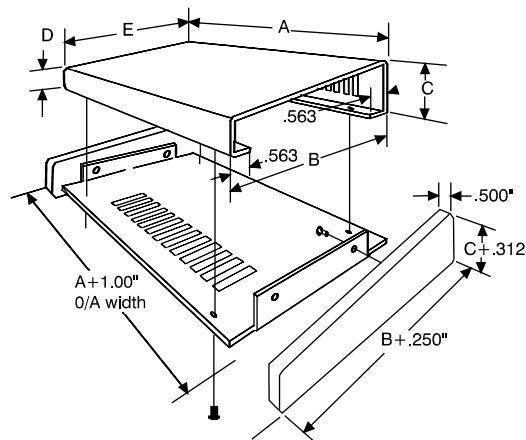
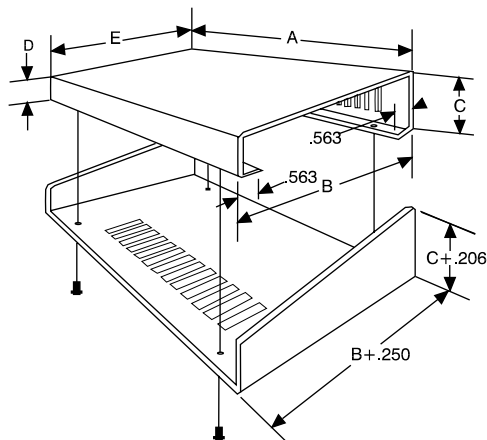
KEY FEATURES (Aluminum Top and Case)

- Aluminum cases 0.081" (2 mm) thick aluminum.
- Aluminum top panel sizes to 14" wide are 0.064" thick aluminum. Larger sizes are 0.081" thick.
- Sold pre-assembled with a textured blue case and a choice of a contemporanea grey (beige) or a black top panel.
- Comes with self adhesive rubber feet and required mounting hardware.
- Replacement screws **1421J6** (Pkg. of 6, 6-32 Philips head screws).

KEY FEATURES (Aluminum Top and Walnut Case)

- Solid oiled walnut sides on a black, ventilated steel base with contempora grey (beige) aluminum top panel.
- Aluminum top panel sizes to 14" wide are 0.064" thick aluminum. Larger sizes are 0.081" thick.
- Comes with self adhesive rubber feet and required mounting hardware.
- Replacement screws **1421J6** (Pkg. of 6, 6-32 Philips head screws).

Part Number			Units	Dimensions				
Beige Top and Blue Case	Black Top and Blue Case	Beige Top and Walnut Case		A	B	C	D	E
1456FE1WHBU	1456FE1BKBU		inch mm	6.5 165	5.5 140	2.5 64	1.5 38	5.6 142
1456PH1WHBU	1456PH1BKBU	1456PH1WHCWW	inch mm	14 356	8.3 211	3 76	1.5 38	8.5 216
1456RL1WHBU	1456RL1BKBU		inch mm	17 432	11.3 287	3.5 89	1.5 38	11.5 292
1456WL1WHBU	1456WL1BKBU		inch mm	20 508	11.3 287	3.5 89	1.5 38	11.5 292



Metal



CANADA
Guelph, Ontario (519) 822-2960
St. Laurent, Quebec (514) 343-9010
USA
Cheektowaga, NY (716) 651-0086

www.hammondmfg.com

EUROPE
Basingstoke, UK +44 1256 812812

AUSTRALASIA
Queenstown, SA, Australia +61 8 8240 2244

15° Sloped Consoles (1456 Series)



KEY FEATURES

Aluminum Top and Case

Same as 10° series (see page 89)

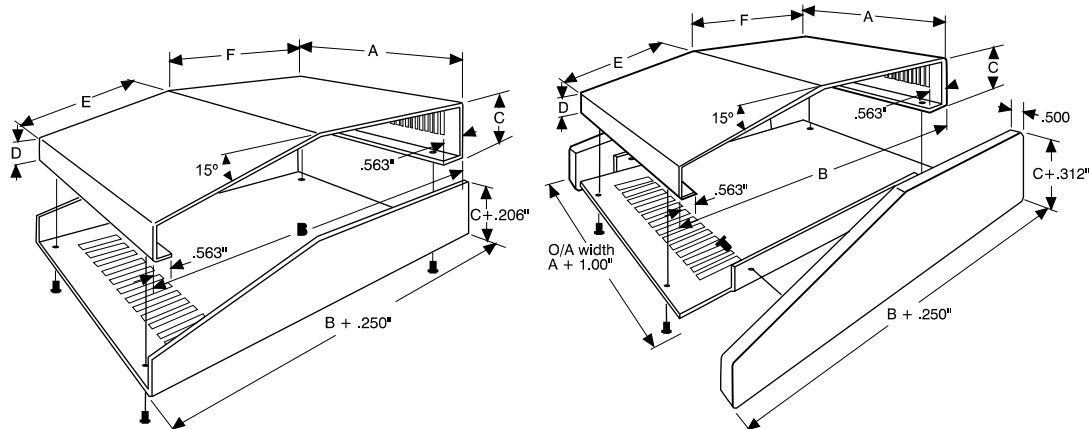
KEY FEATURES

Aluminum Top and Walnut Case

Same as 10° series (see page 89)

Part Number			Units	Dimensions					
Beige Top and Blue Case	Black Top and Blue Case	Beige Top and Walnut Case		A	B	C	D	E	F
1456CE2WHBU	1456CE2BKBU	1456CE2WHCWW	inch mm	4 102	5.5 140	2 51	1.1 28	3.3 84	2.2 56
1456FE2WHBU	1456FE2BKBU		inch mm	6.5 165	5.5 140	2 51	1.1 28	3.3 84	2.2 56
1456FH3WHBU	1456FH3BKBU		inch mm	6.5 165	8.3 211	3 76	1.3 33	6.3 160	2.2 56
1456FH2WHBU	1456FH2BKBU	1456FH2WHCWW	inch mm	6.5 165	8.5 216	2 51	1.1 28	3.3 84	5.2 132
1456KH3WHBU	1456KH3BKBU	1456KH3WHCWW	inch mm	10 254	8.3 211	3 76	1.3 33	6.3 160	2.2 56
1456KL3WHBU	1456KL3BKBU		inch mm	10 254	11.3 287	3 76	1.3 33	6.3 160	5.2 132
1456PH3WHBU	1456PH3BKBU	1456PH3WHCWW	inch mm	14 356	8.3 211	3 76	1.3 33	6.3 160	2.2 56
1456PL3WHBU	1456PL3BKBU	1456PL3WHCWW	inch mm	14 356	11.3 287	3 76	1.3 33	6.3 160	5.2 132
1456RH3WHBU	1456RH3BKBU		inch mm	17 432	8.3 211	3 76	1.3 33	6.3 160	2.2 56
1456RL3WHBU	1456RL3BKBU		inch mm	17 432	11.3 287	3 76	1.3 33	6.3 160	5.2 132
1456WH3WHBU	1456WH3BKBU		inch mm	20 508	8.3 211	3 76	1.3 33	6.3 160	2.2 56
1456WL3WHBU	1456WL3BKBU		inch mm	20 508	11.3 287	3 76	1.3 33	6.3 160	5.2 132

Metal



90



CANADA

Guelph, Ontario (519) 822-2960
St. Laurent, Quebec (514) 343-9010

USA

Cheektowaga, NY (716) 651-0086



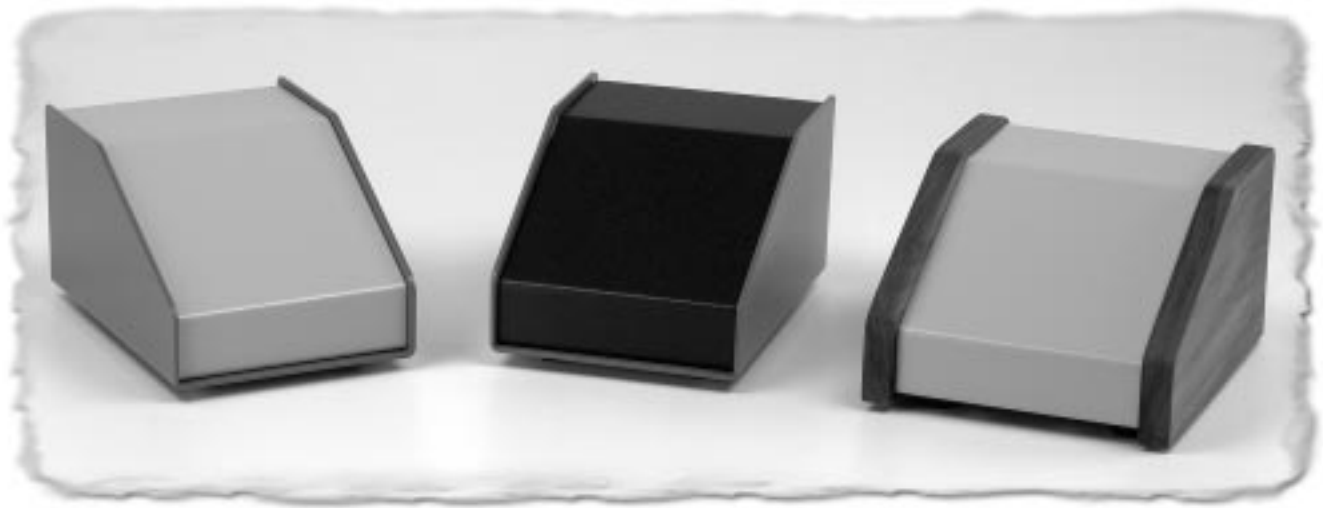
EUROPE

Basingstoke, UK +44 1256 812812

AUSTRALASIA

Queenstown, SA, Australia +61 8 8240 2244

30° Sloped Consoles (1456 Series)



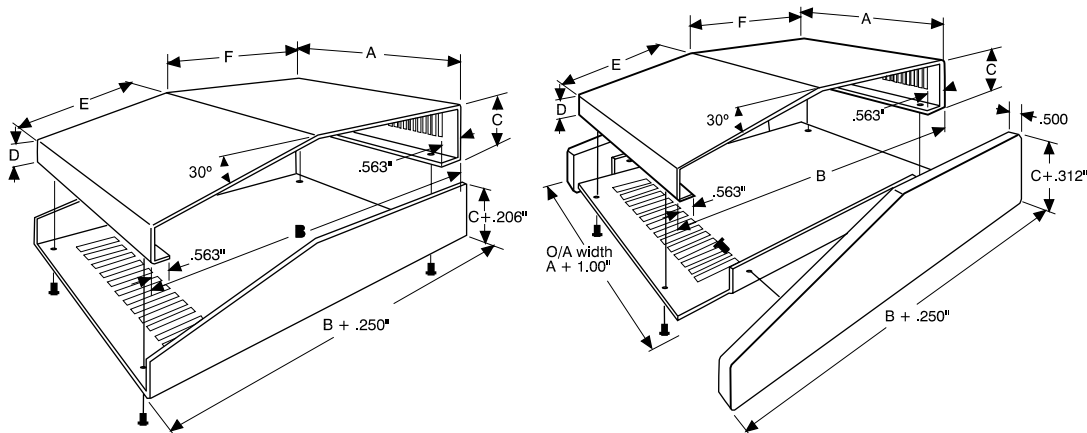
KEY FEATURES

Aluminum Top and Case
Same as 10° series (see page 89)

KEY FEATURES

Aluminum Top and Walnut Case
Same as 10° series (see page 89)

Part Number			Units	Dimensions					
Beige Top and Blue Case	Black Top and Blue Case	Beige Top and Walnut Case		A	B	C	D	E	F
1456CE3WHBU	1456CE3BKBU	1456CE3WHCWW	inch mm	4 102	5.5 140	3 76	1.1 28	3.7 94	2.2 56
1456FE3WHBU	1456FE3BKBU		inch mm	6.5 165	5.5 140	3 76	1.1 28	3.7 94	2.2 56
1456FG4WHBU	1456FG4BKBU		inch mm	6.5 165	7.2 183	4 102	1.1 28	5.7 145	2.2 56
1456KE3WHBU	1456KE3BKBU		inch mm	10 254	5.5 140	3 76	1.1 28	3.7 94	2.2 56
1456KG4WHBU	1456KG4BKBU		inch mm	10 254	7.2 183	4 102	1.1 28	5.7 145	2.2 56
1456KK4WHBU	1456KK4BKBU	1456KK4WHCWW	inch mm	10 254	10.2 259	4 102	1.1 28	5.7 145	5.2 132
1456PG4WHBU	1456PG4BKBU		inch mm	14 356	7.2 183	4 102	1.1 28	5.7 145	2.2 56
1456PK4WHBU	1456PK4BKBU	1456PK4WHCWW	inch mm	14 356	10.2 259	4 102	1.1 28	5.7 145	5.2 132
1456RK4WHBU	1456RK4BKBU		inch mm	17 432	10.2 259	4 102	1.1 28	5.7 145	5.2 132
1456WK4WHBU	1456WK4BKBU		inch mm	20 508	10.2 259	4 102	1.1 28	5.7 145	5.2 132



Metal



CANADA
Guelph, Ontario (519) 822-2960
St. Laurent, Quebec (514) 343-9010
USA
Cheektowaga, NY (716) 651-0086

www.hammondmfg.com

EUROPE
Basingstoke, UK +44 1256 812812

AUSTRALASIA
Queenstown, SA, Australia +61 8 8240 2244